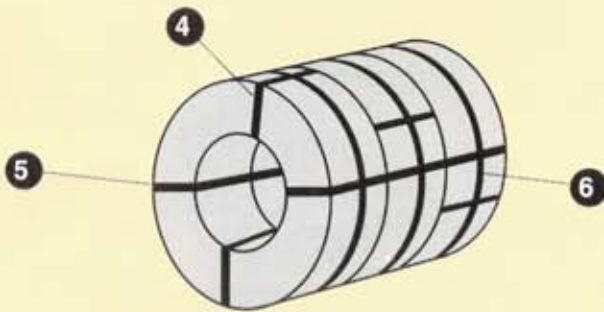
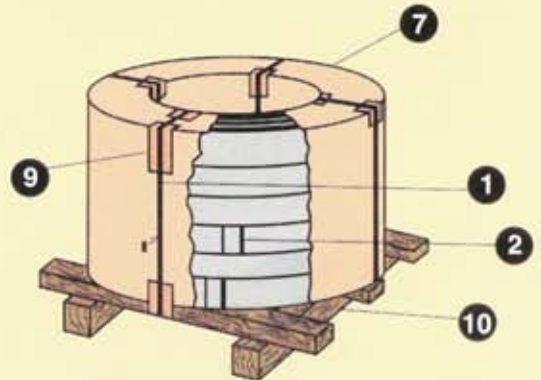


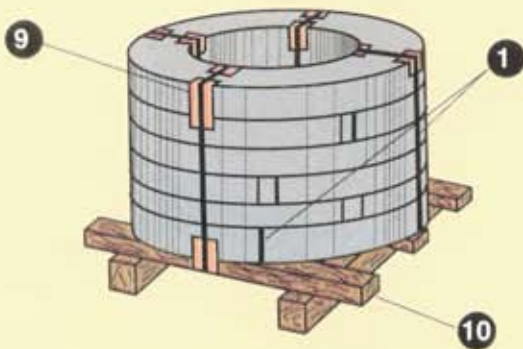
- | | | |
|------------------------------|----|--------------------------|
| STEEL STRAPS | 1 | FLEJES |
| INTERIOR STEEL STRAPS | 2 | FLEJES INTERIORES |
| EXTERIOR STEEL STRAPS | 3 | FLEJES EXTERIORES |
| INDIVIDUAL STEEL STRAPS | 4 | FLEJES INDIVIDUALES |
| MULTIPLE STEEL STRAPS | 5 | FLEJES MULTIPLES |
| CIRCUMFERENTIAL STEEL STRAPS | 6 | FLEJES CIRCUNFERENCIALES |
| CARDBOARD PROTECTOR | 7 | PROTECCION DE PAPEL |
| PROTECTIVE STEEL SHEET | 8 | PROTECCION DE LAMINA |
| ANGLE PROTECTOR | 9 | PROTECTORES DE ESQUINAS |
| WOODEN SKID | 10 | TARIMA |



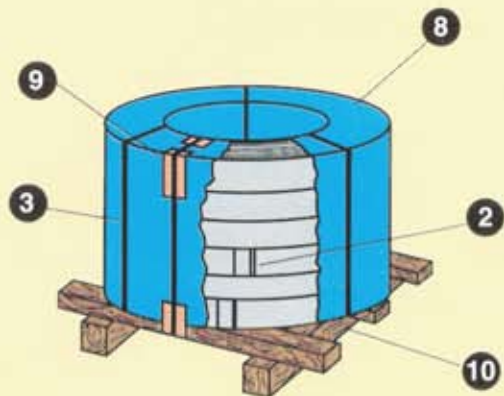
301



332



331



333