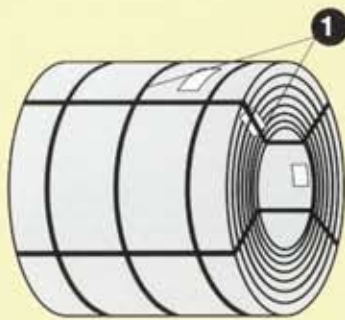
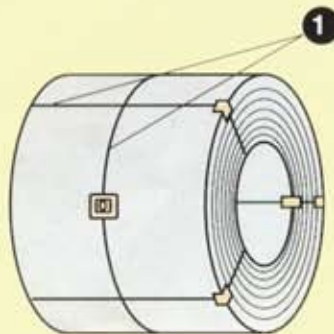


# EMPAQUE DE PRODUCTOS PLANOS EN ROLLO

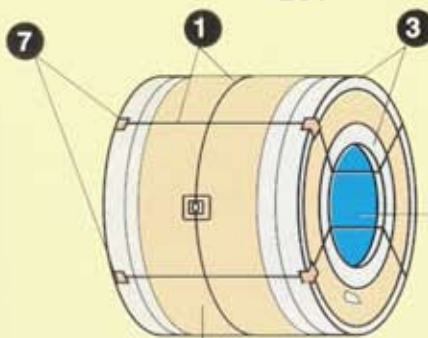
## PACKING FOR FLAT ROLLED PRODUCTS



200

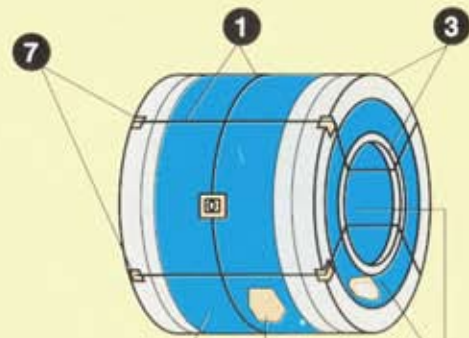


201

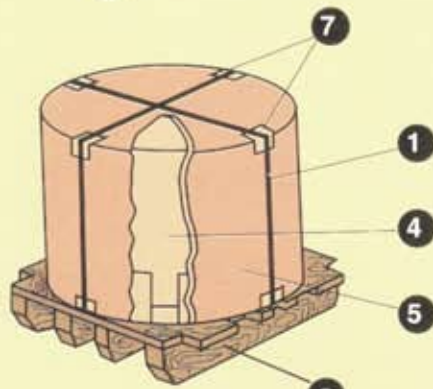


202

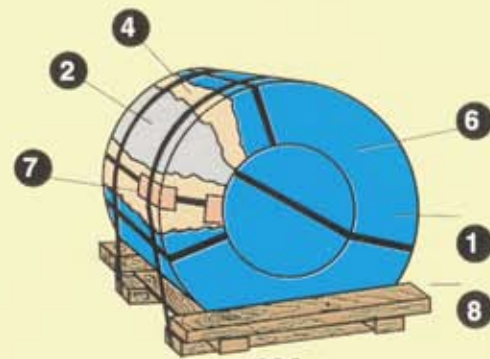
6  
(SOLO EN DIAMETRO INTERNO)



203



224



233

- |                        |   |                         |
|------------------------|---|-------------------------|
| STEEL STRAPS           | 1 | FLEJES                  |
| INTERIOR STEEL STRAPS  | 2 | FLEJES INTERIORES       |
| STEEL RINGS            | 3 | ARILLOS METALICOS       |
| WATERPROOF PAPER       | 4 | PROTECCION DE PAPEL     |
| CARDBOARD PROTECTOR    | 5 | PROTECCION DE CARTON    |
| PROTECTIVE STEEL SHEET | 6 | PROTECCION DE LAMINA    |
| ANGLE PROTECTOR        | 7 | PROTECTORES DE ESQUINAS |
| WOODEN SKID            | 8 | TARIMA                  |